

CABLE PULL ADAPTER
SL3000



CABLE PULL ADAPTER SERIES SL3000
DATA SHEET

CABLE PULL ADAPTER SL3000

Introduction

The determination of measuring lengths in the range of one up to several meters is preferably carried out by using well priced and easy-to-mount transducers on the basis of the draw wire measuring principle.

In connection with measuring problems of industrial applications e.g. on

- cranes, drilling machines and excavators
- pressing, punching and injection moulding machines
- weirs and lock gates
- multilevel shelving rack systems and theatre stages
- wood- and stone-working machines and also in
- instrument engineering, high-tech medical devices etc.

rope length measuring systems series SL 3000 have proven for years to be very reliable, capable of measuring lengths up to 40 m with high accuracy and reliability even in extremely dusty and moist atmospheres.

A robust aluminium case of IP code IP 65 contains a light-weight high precision measuring drum on which by means of an extremely stable spring pull-back mechanism one layer of a highly flexible steel rope with D. 1.35 mm is wound.

The measuring drum, located on a threaded spindle, moves the measuring rope rectilinear (in the right position) to the rope outlet nozzle thereby ensuring high accuracy, reel off speed (speed of adjustment) and operational reliability.

CABLE PULL ADAPTER SL3000

Application

- Sensing of
- Distances
- Inclinations
- Stamping and pressing machines
- Tracks
- Differences between two tables on
- Common track

Model

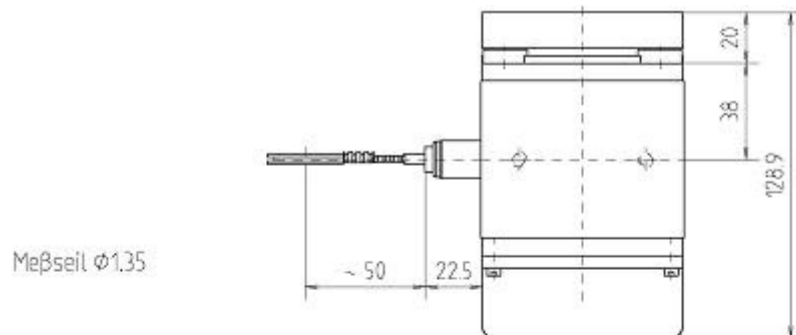
<i>Model</i>	SL-3003	SL-3005	SL-3010
Measuring length	3m	5m	10m
Measuring wire - Ø	1,35mm	1,35mm	1,35mm
Circumference of drum	200mm	333,3mm	333,3mm
Accuracy of drum	±0,05%	±0,05%	±0,05%
Speed of adjustment	8m/sec	10....4m/sec	10....4m/sec
Force of retractile springt	5....15N	10....21N	10....21N
Reproducibility	0,2mm	0,2mm	0,2mm
Casing material	Aluminium anodized	Aluminium anodized	Aluminium anodized
IP code of casing	IP65	IP65	IP65
Material of measuring wire	1.4401	1.4401	1.4401
Weight with encoder	ca.1,5	ca.2,5	ca.3,5
Working temperatur	-30° ... +70°C	-30° ... +70°C	30° ... +70°C
Ex-approval	EG – type test TÜV 03 ATEX 7131X Ex II 2G CT5		
Life time(cycles)*	2Mio.	1Mio.	1Mio.

* depends on application

CABLE PULL ADAPTER SL3000

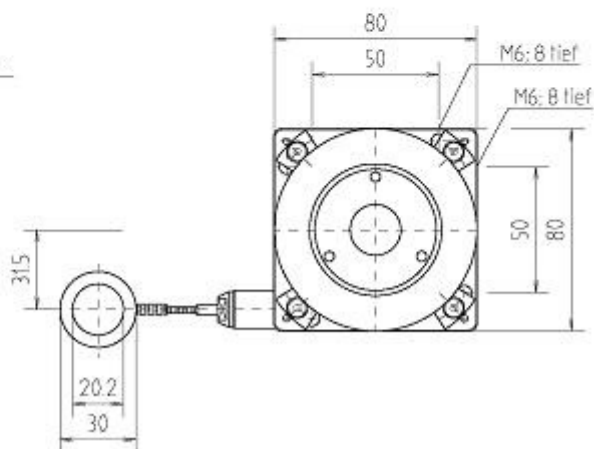
Mechanical Drawings

SL3003



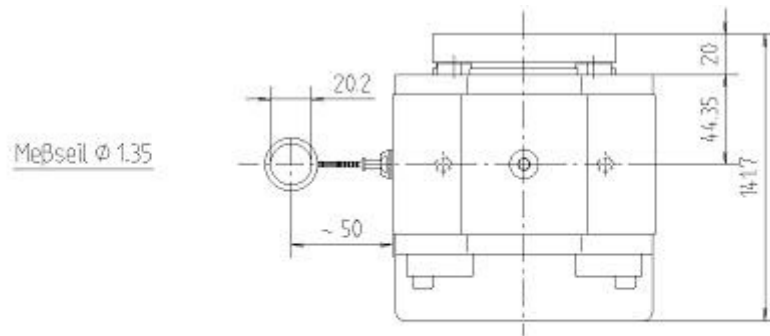
Anbaubar sind Geber mit:

- Synchroflansch
 $\phi 50$ / TK $\phi 4.2$ / 3xM4
- Welle $\phi 6 \times 10$ mm

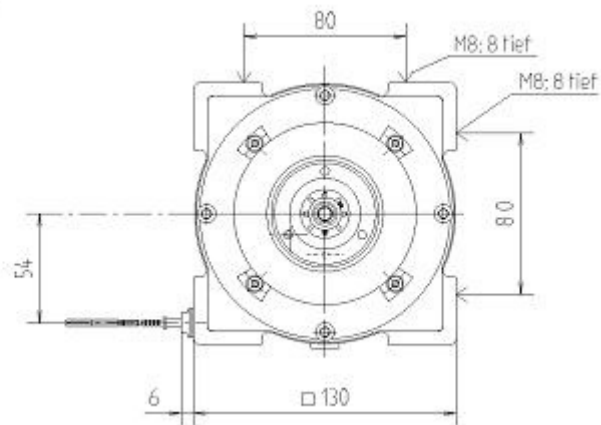


CABLE PULL ADAPTER SL3000

SL3005



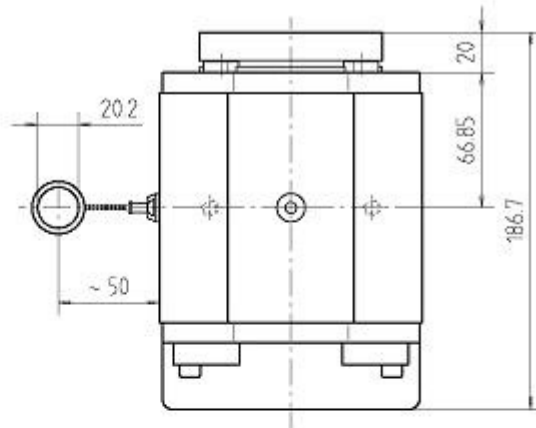
- Anbaubar sind Geber mit:
- Synchroftansch \varnothing 50 / Tk \varnothing 42 / 3xM4
 - Welle \varnothing 6 min. Länge 10 mm



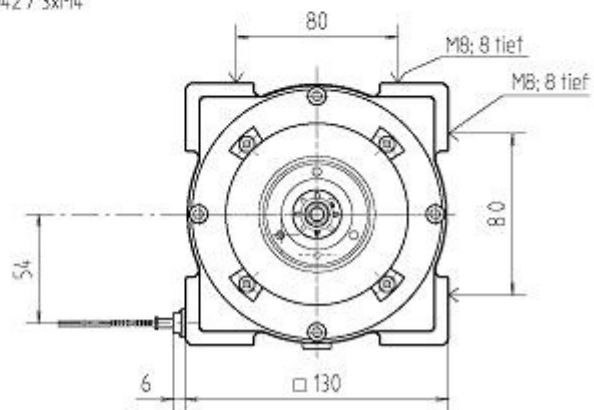
CABLE PULL ADAPTER SL3000

SL3010

Meßseil \varnothing 1.35



- Anbaubar sind Geber mit:
- Synchroflansch \varnothing 50 / Tk \varnothing 42 / 3xM4
 - Well \varnothing 6



CABLE PULL ADAPTER SL3000

Models and Ordering Description

Description	Type Key		
Cable pull adapter	SL - --	
Measuring length	2000 mm	3002/GS80X1	
	3000 mm	3003/GS80X1	
	5000 mm	3005/GS130X1	
	10000mm	3010/GS130X1	
Type of cable	Steel cable, stainless		
Mounting	Absolute rotary encoder		OCD-XXX...-S06...

Further models on request

We do not assume responsibility for technical inaccuracies or omissions. Specifications are subject to change without notice.